

T-SPLITTER

CON T-SPLIT-M12-IO

Description

- 5 pin, M12 T-splitter connector
- Female – Male – Female
- Compatible with SS 01-IO Series



Technical Data

Rated current	4 A
Rated voltage	60 V ac / dc
Connector contacts	Brass (gold plated)
Lock nut/screw	Brass (nickel plated)
Seal O-ring	Epoxy resin / FKM
Connector insert	TPU; PA
Housing material	TPU
Housing colour	Black
Temperature	-25 to +85 °C
Sealing class	IP 67

Available Types

Order Reference	CON T-SPLIT-M12-IO A05
-----------------	------------------------

Connections

	Transmitter	Receiver	IO-Link Master
Supply +	Pin 1	Pin 1	Pin 1
GND (-)	Pin 3	Pin 3	Pin 3
Common Sync 1	Pin 2	Pin 2	-
Common Sync 2	Pin 5	Pin 5	-
Q ₁	-	Pin 4	Pin 4
Test	Pin 4	-	Pin 2

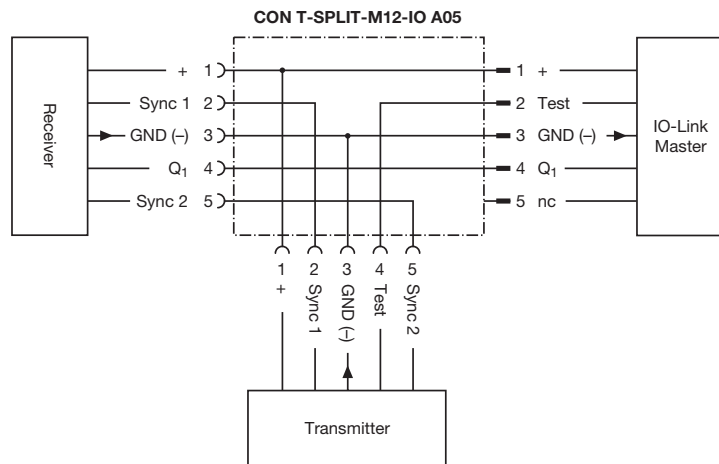
5 pin, M12

IO-Link Master
(Male)

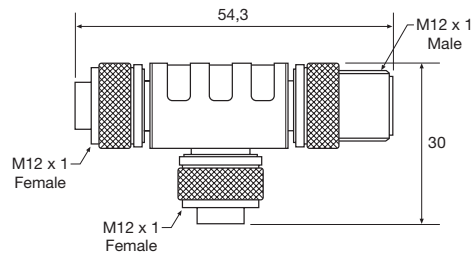
Transmitter / Receiver
(Female)



Wiring Diagram



Dimensions and Descriptions



(Units in mm)

Telco reserves the right to change specifications without notice.